



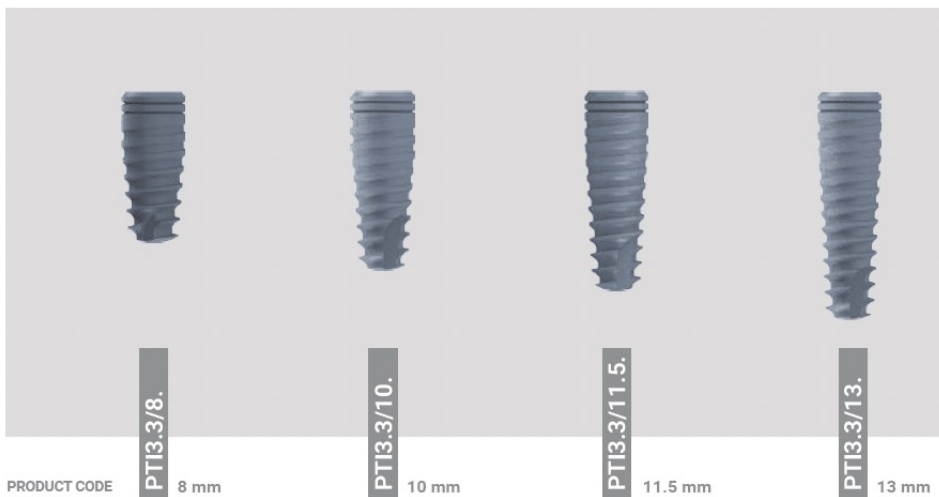
Implantation Protocol

Implants
Progressive



Bio3 IMPLANT PROGRESSIVE

Standard platform



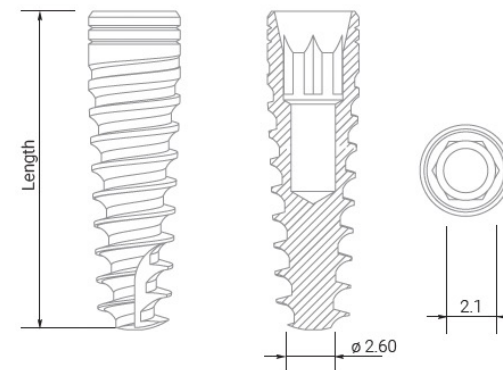
**STANDARD
PLATFORM**

DIAMETER
3.3
INTERNAL HEX
2.1

TITANIUM COVER SCREW 2.1



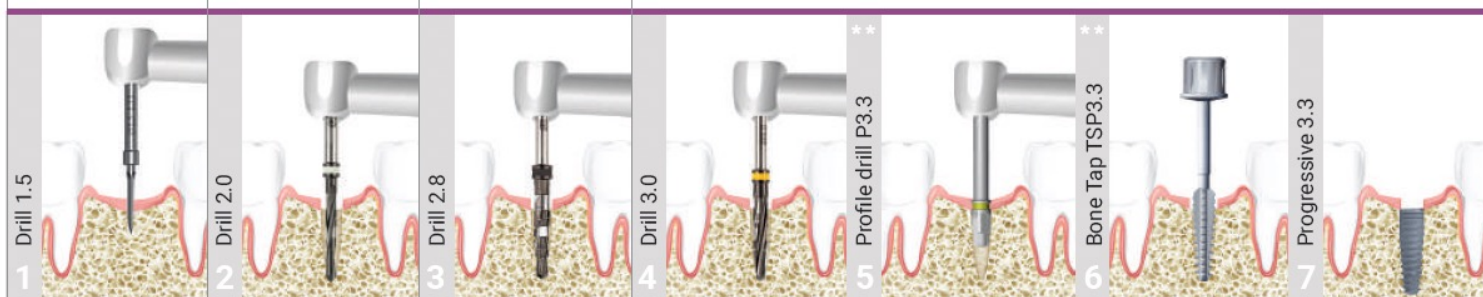
is included in each implant set



ATTENTION!
It is used for installation in front parts (incisors)

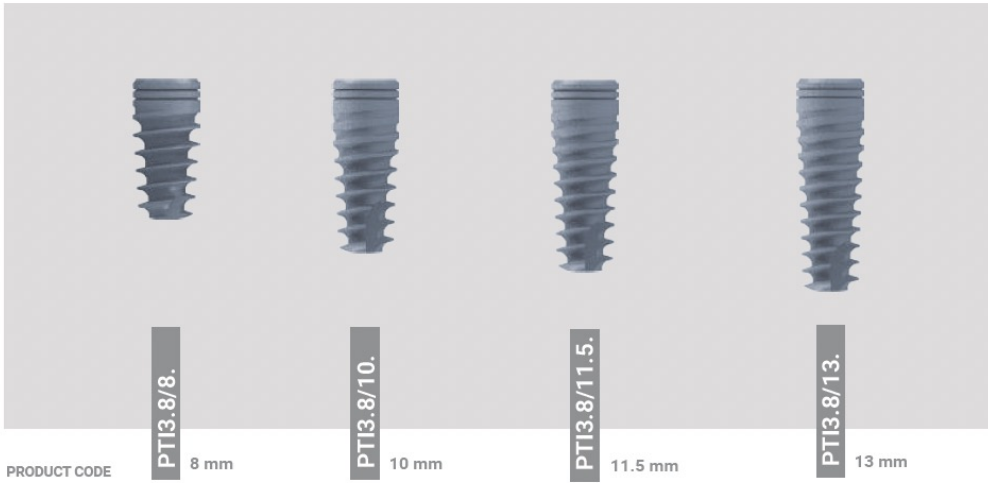
RECOMMENDED DRILLING SPEED

D1	800-1200	D1	800-1000	D1	600-800	D1	500-700
D2	800-1200	D2	800-1000	D2	600-800	D2	600-800
D3	800-1000	D3	700-900	D3	500-600	D3	500-600
D4	800-1000	D4	600-800	D4	400-500	D4	400-500



Implantation Protocol.*

* The Protocol does not replace an appropriate training
** It is used in I and II bone types.



PRODUCT CODE

PTI3.8/8.

8 mm

PTI3.8/10.

10 mm

PTI3.8/11.5.

11.5 mm

PTI3.8/13.

13 mm

**STANDARD
PLATFORM**

DIAMETER

3.8

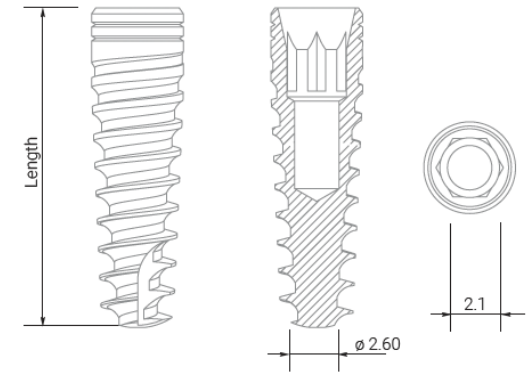
INTERNAL HEX

2.1

TITANIUM COVER SCREW 2.1



is included in each
implant set

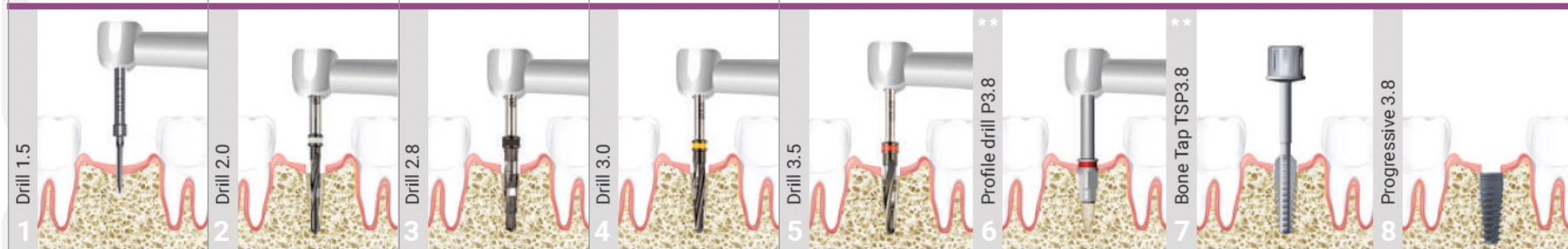


ATTENTION!

It is used for installation in front
parts (incisors)

RECOMMENDED DRILLING SPEED

D1	800-1200	D1	800-1000	D1	600-800	D1	500-700	D1	500-700
D2	800-1200	D2	800-1000	D2	600-800	D2	600-800	D2	600-800
D3	800-1000	D3	700-900	D3	500-600	D3	500-600	D3	500-600
D4	800-1000	D4	600-800	D4	400-500	D4	400-500	D4	400-500

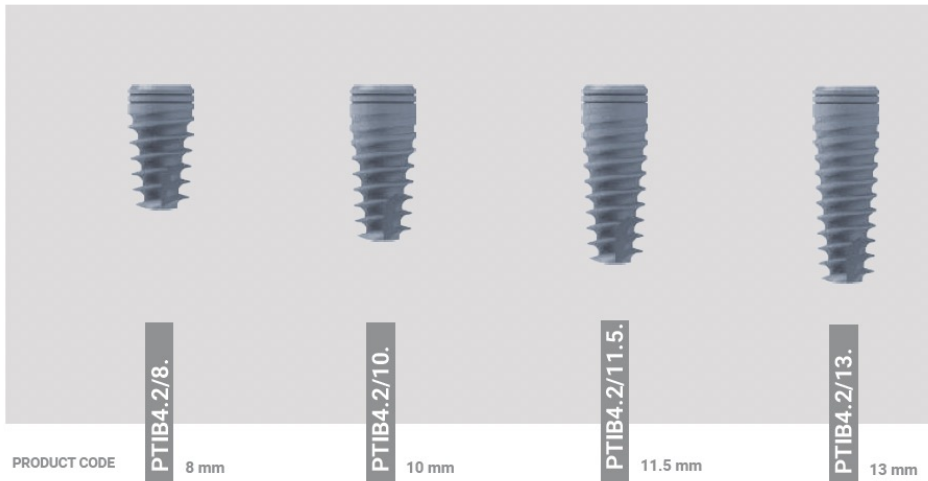


Implantation Protocol.*

* The Protocol does not replace an appropriate training
** It is used in I and II bone types.

Bio3 IMPLANT PROGRESSIVE

Wide platform



DIAMETER
4.2

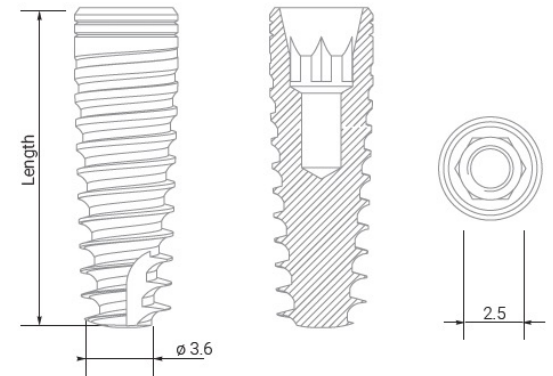
INTERNAL HEX
2.5

**WIDE
PLATFORM**

TITANIUM COVER SCREW 2.5



is included in each implant set

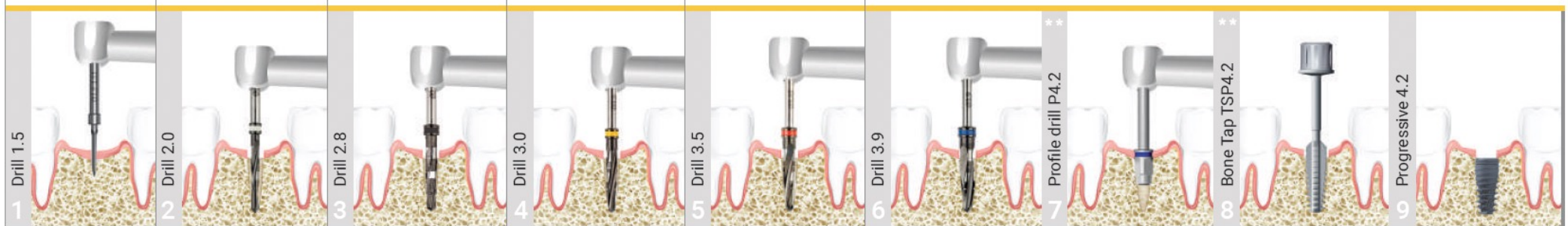


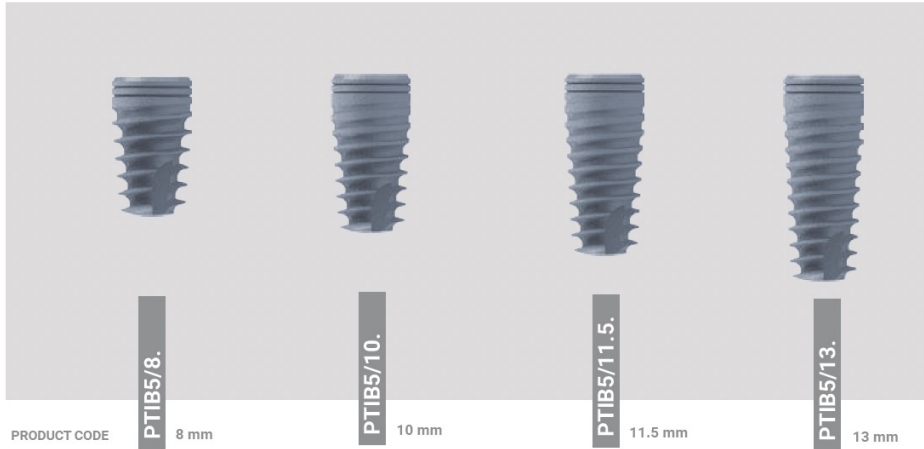
RECOMMENDED DRILLING SPEED

D1	800-1200	D1	800-1000	D1	600-800	D1	500-700	D1	500-700	D1	400-600
D2	800-1200	D2	800-1000	D2	600-800	D2	600-800	D2	600-800	D2	500-700
D3	800-1000	D3	700-900	D3	500-600	D3	500-600	D3	500-600	D3	500-600
D4	800-1000	D4	600-800	D4	400-500	D4	400-500	D4	400-500	D4	400-500

Implantation Protocol.*

* The Protocol does not replace an appropriate training
** It is used in I and II bone types.





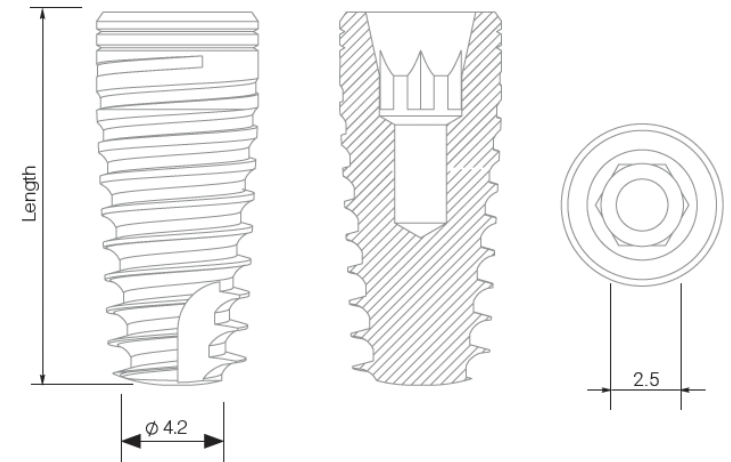
DIAMETER
5.0

INTERNAL HEX
2.5

WIDE PLATFORM

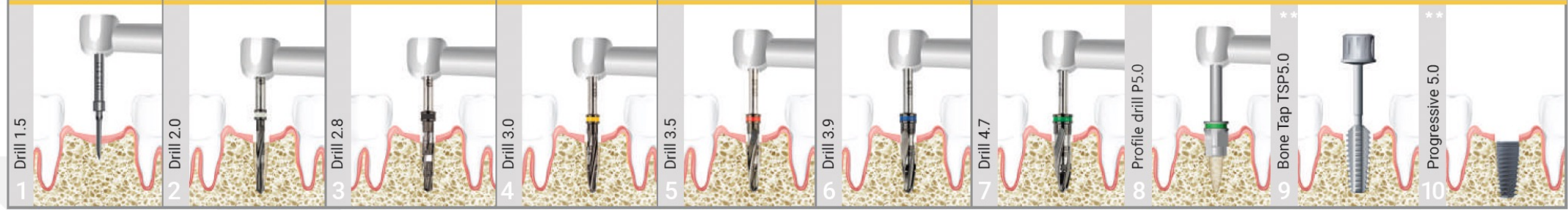
TITANIUM COVER SCREW 2.5

 is included in each implant set



RECOMMENDED DRILLING SPEED

D1	800-1200	D1	800-1000	D1	600-800	D1	500-700	D1	500-700	D1	400-600	D1	400-600
D2	800-1200	D2	800-1000	D2	600-800	D2	600-800	D2	600-800	D2	500-700	D2	400-700
D3	800-1000	D3	700-900	D3	500-600	D3	500-600	D3	500-600	D3	500-600	D3	500-600
D4	800-1000	D4	600-800	D4	400-500	D4	400-500	D4	400-500	D4	400-500	D4	400-500



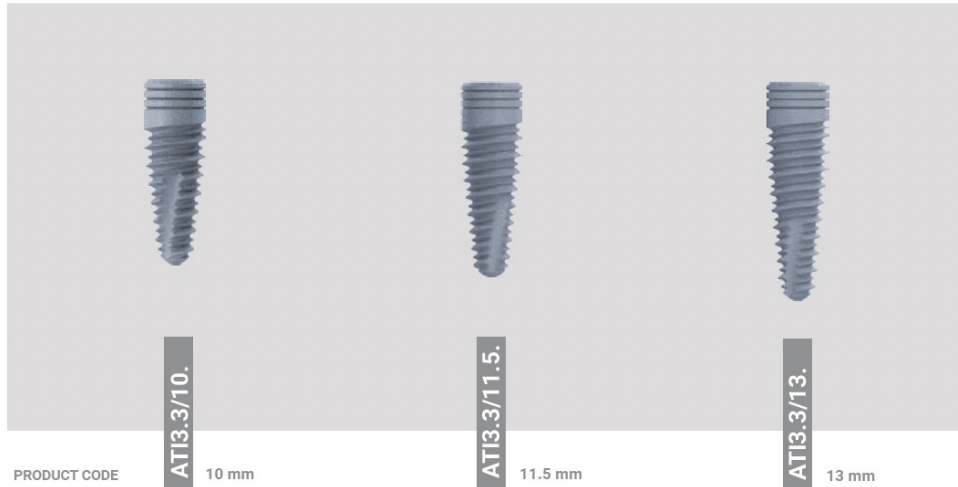
Implantation Protocol.*
* The Protocol does not replace an appropriate training
** It is used in I and II bone types.

Implants
Advanced



Bio3 IMPLANT ADVANCED

Standard platform



PRODUCT CODE **AT13.3/10.** 10 mm

AT13.3/11.5. 11.5 mm

AT13.3/13. 13 mm

**STANDARD
PLATFORM**

DIAMETER

3.3

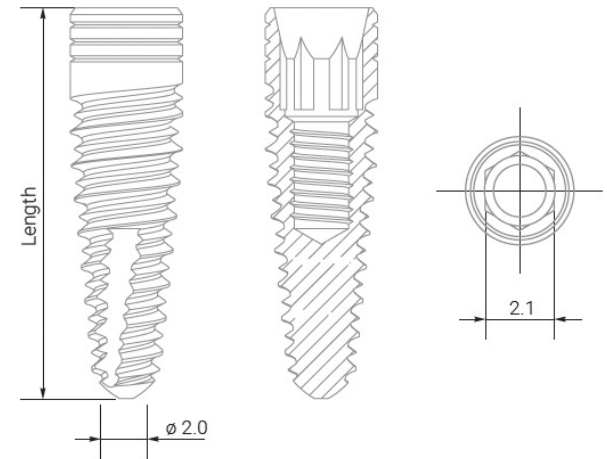
INTERNAL HEX

2.1

TITANIUM COVER SCREW 2.1

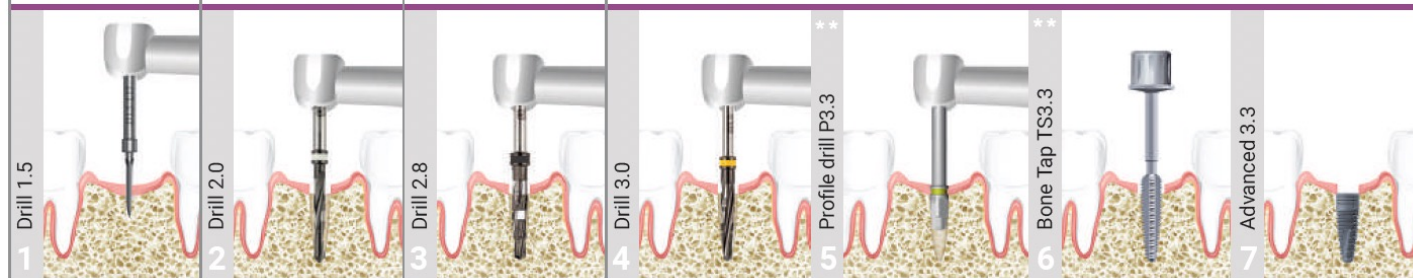


is included in each implant set



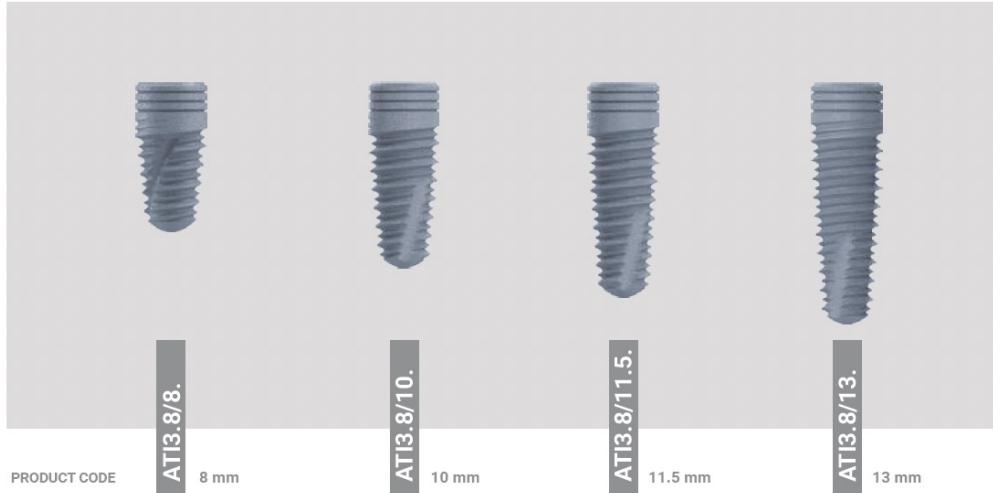
RECOMMENDED DRILLING SPEED

D1	800-1200	D1	800-1000	D1	600-800	D1	500-700
D2	800-1200	D2	800-1000	D2	600-800	D2	600-800
D3	800-1000	D3	700-900	D3	500-600	D3	500-600
D4	800-1000	D4	600-800	D4	400-500	D4	400-500



Implantation Protocol.*

* The Protocol does not replace an appropriate training
** It is used in I and II bone types.



PRODUCT CODE

AT13.8/8.

8 mm

AT13.8/10.

10 mm

AT13.8/11.5.

11.5 mm

AT13.8/13.

13 mm

**STANDARD
PLATFORM**

DIAMETER

3.8

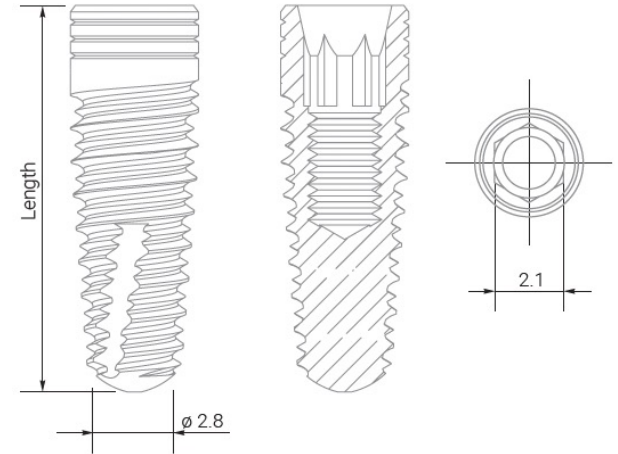
INTERNAL HEX

2.1

TITANIUM COVER SCREW 2.1



is included in each implant set

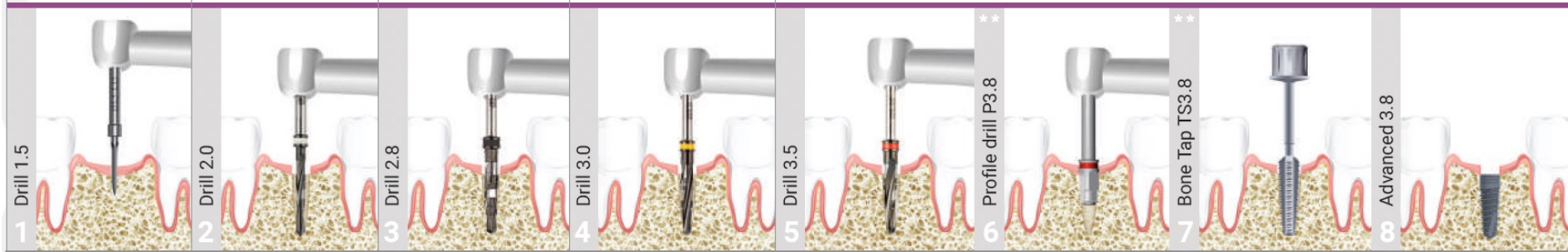


ATTENTION!

It is used for installation in front parts (incisors)

RECOMMENDED DRILLING SPEED

D1	800-1200	D1	800-1000	D1	600-800	D1	500-700	D1	500-700
D2	800-1200	D2	800-1000	D2	600-800	D2	600-800	D2	600-800
D3	800-1000	D3	700-900	D3	500-600	D3	500-600	D3	500-600
D4	800-1000	D4	600-800	D4	400-500	D4	400-500	D4	400-500

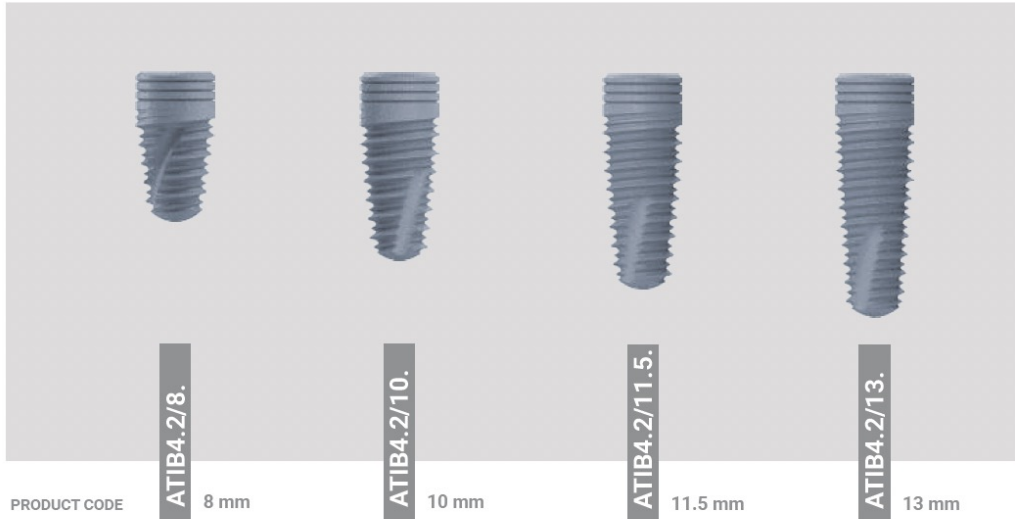


Implantation Protocol*

* The Protocol does not replace an appropriate training
** It is used in I and II bone types.

Bio3 IMPLANT ADVANCED

Wide platform



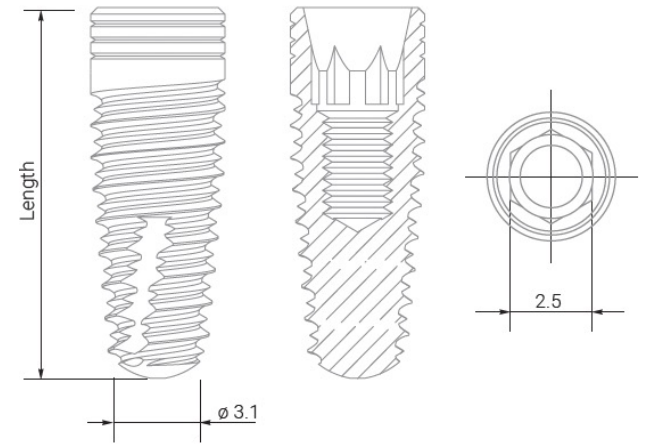
DIAMETER
4.2
INTERNAL HEX
2.5

**WIDE
PLATFORM**

TITANIUM COVER SCREW 2.5

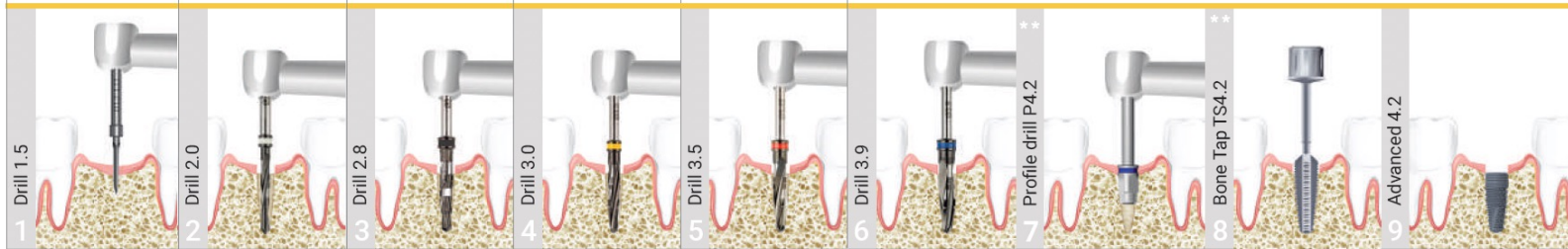


is included in each implant set



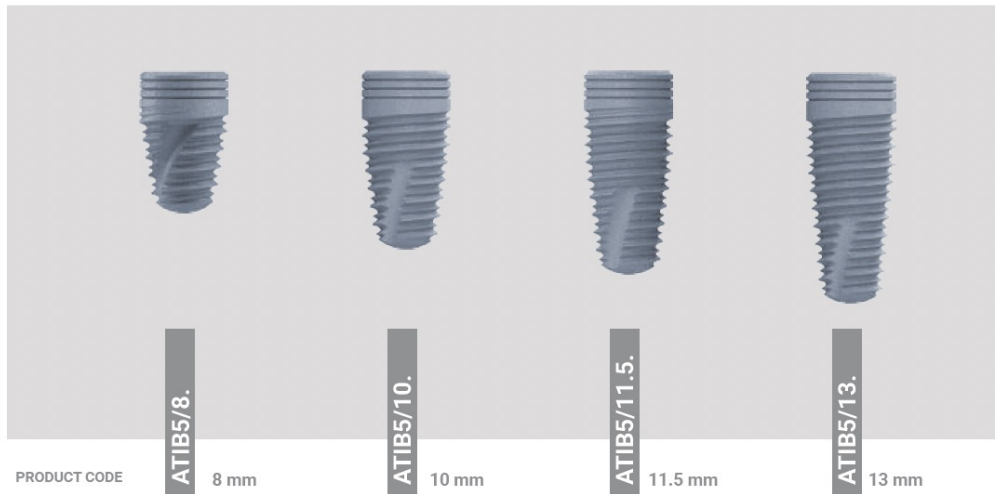
RECOMMENDED DRILLING SPEED

D1	800-1200	D1	800-1000	D1	600-800	D1	500-700	D1	500-700	D1	400-600
D2	800-1200	D2	800-1000	D2	600-800	D2	600-800	D2	600-800	D2	500-700
D3	800-1000	D3	700-900	D3	500-600	D3	500-600	D3	500-600	D3	500-600
D4	800-1000	D4	600-800	D4	400-500	D4	400-500	D4	400-500	D4	400-500



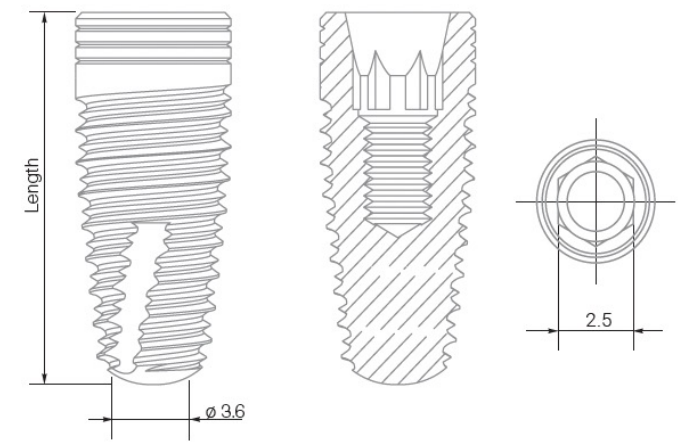
Implantation Protocol.*

* The Protocol does not replace an appropriate training
** It is used in I and II bone types.




WIDE PLATFORM

DIAMETER
5.0
INTERNAL HEX
2.5



TITANIUM COVER SCREW 2.5

 is included in each implant set

RECOMMENDED DRILLING SPEED

D1	800-1200	D1	800-1000	D1	600-800	D1	500-700	D1	500-700	D1	400-600	D1	400-600
D2	800-1200	D2	800-1000	D2	600-800	D2	600-800	D2	600-800	D2	500-700	D2	400-700
D3	800-1000	D3	700-900	D3	500-600	D3	500-600	D3	500-600	D3	500-600	D3	500-600
D4	800-1000	D4	600-800	D4	400-500	D4	400-500	D4	400-500	D4	400-500	D4	400-500

Implantation Protocol.*

* The Protocol does not replace an appropriate training
** It is used in I and II bone types.

